

SUZUKI

GV1400 ADJUSTABLE AIR VENT FAIRING SET

INSTALLATION MANUAL

NOTE:

If you intend to install the Cornering Lamp Set with the Adjustable Air Vent Fairing Set, read both sets of installation instructions completely before starting any installation.

Some installation steps can be combined for both these accessories.

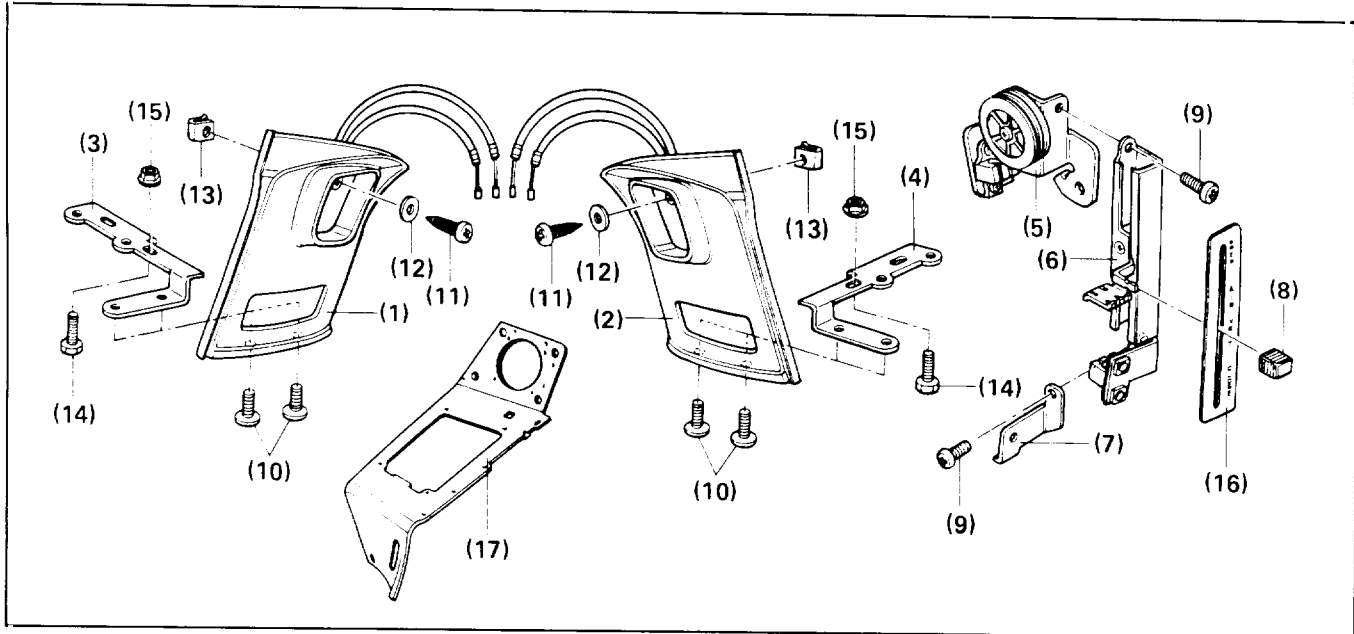
WARNING:

The installation of this accessory set is complicated. If you are not sure that you can properly install this accessory, we strongly urge you to ask your authorized Suzuki dealer to do the work for you.

COMPONENT PARTS

This adjustable air vent fairing set consists of the parts shown below.

Please check that all parts shown in the illustration below are included before installation.



No.	Description	Q'ty	Remarks
(1)	Fairing extension assembly, RH	1	
(2)	Fairing extension assembly, LH	1	
(3)	Bracket, fairing extension, RH	1	
(4)	Bracket, fairing extension, LH	1	
(5)	Guide assembly, ventilator cable	1	
(6)	Control assembly, ventilator	1	
(7)	Bracket, ventilator control	1	
(8)	Knob, ventilator control	1	
(9)	Screw, ventilator control	2	5x12mm Pan head screw
(10)	Screw, extension bracket	4	5x12mm Truss screw
(11)	Screw, extension, upper	2	5x35mm Tapping screw
(12)	Washer, extension, upper	2	
(13)	Nut, extension, upper	2	
(14)	Bolt, extension, lower	2	6x16mm
(15)	Nut, extension, lower	2	
(16)	Emblem	1	
(17)	Cowling panel, LH	1	

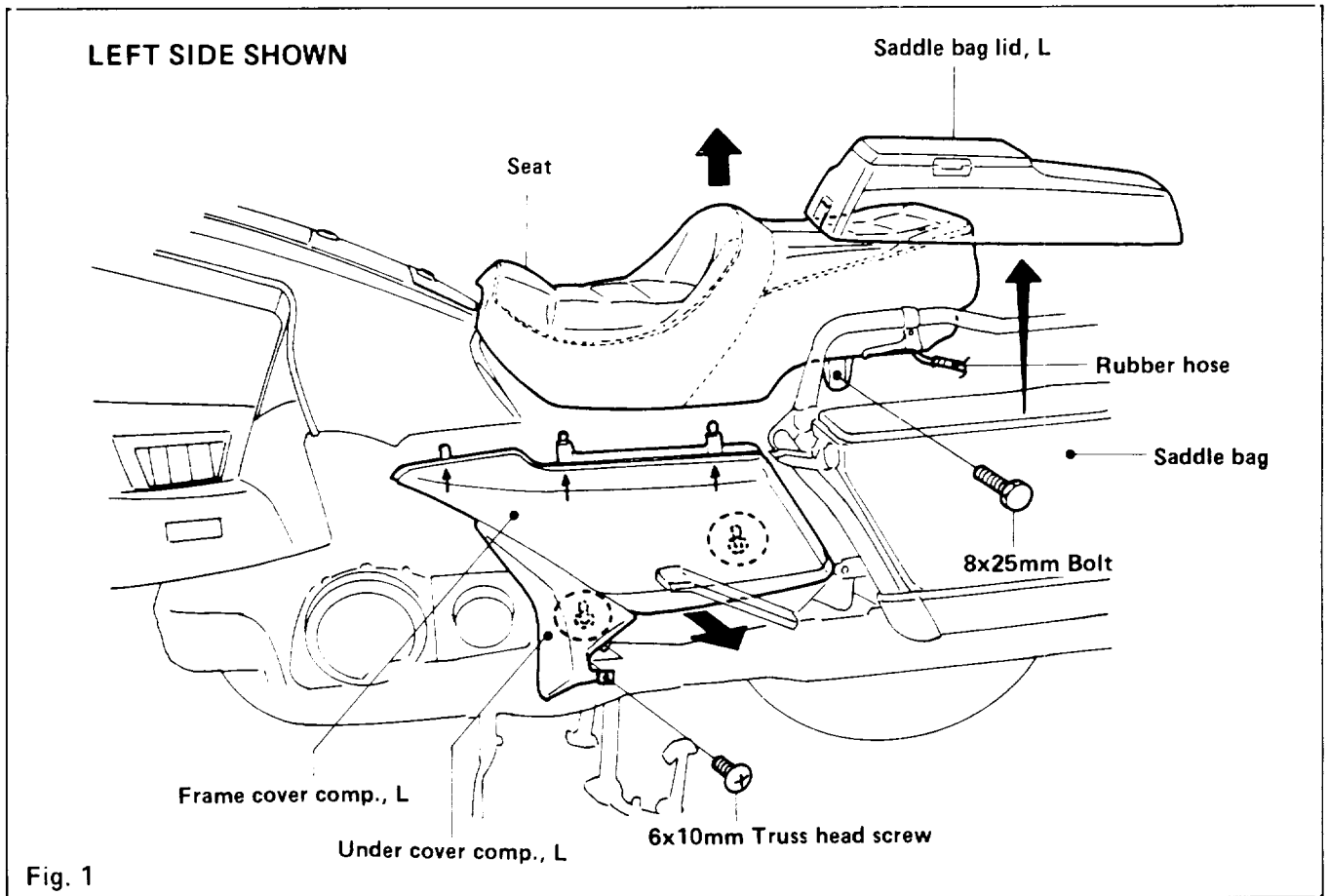
MOUNTING PROCEDURES

1. Removing the seat and frame cover.

- 1) Remove the right and left saddle bag lids.
- 2) Remove the 8x25mm bolts at both sides used to secure the seat to the frame.
- 3) Raise the seat end with both hands and un-snap the 2 snaps on each side. Disconnect

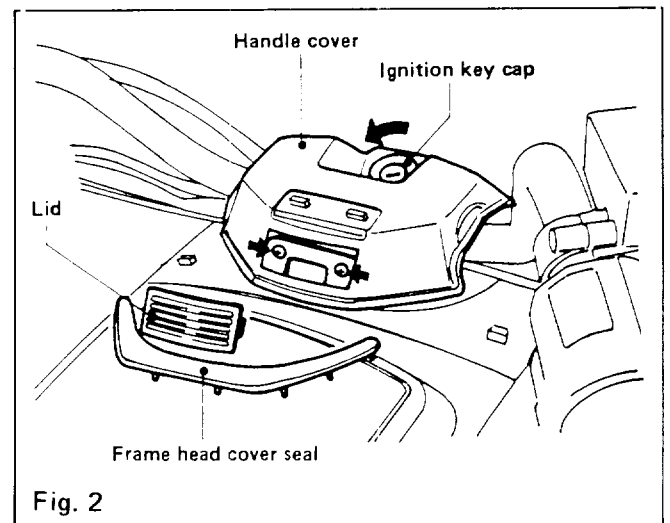
the rubber hose at the back of the seat.

- 4) Remove the 6x10mm truss head screws that attaches the under-cover comp. on each side.
- 5) Unsnap the frame cover component from the body by pulling it with both hands.



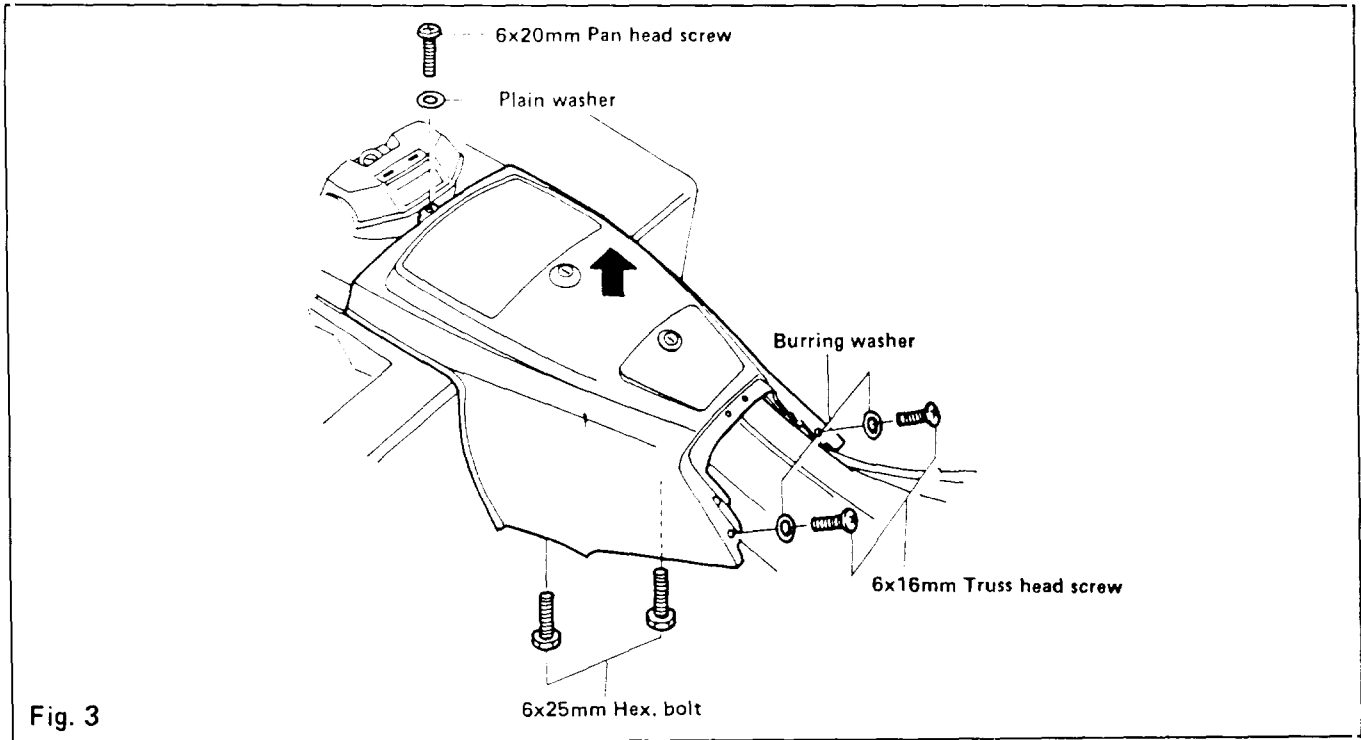
2. Detaching the handle cover.

- 1) Take off the lid with a standard-tip screwdriver. Remove the 2 screws inside.
- 2) Remove the cap of the ignition key hole by turning it counter-clockwise and lifting it up.
- 3) Disconnect the 4P coupler.
- 4) Remove the rubber frame head cover seal.

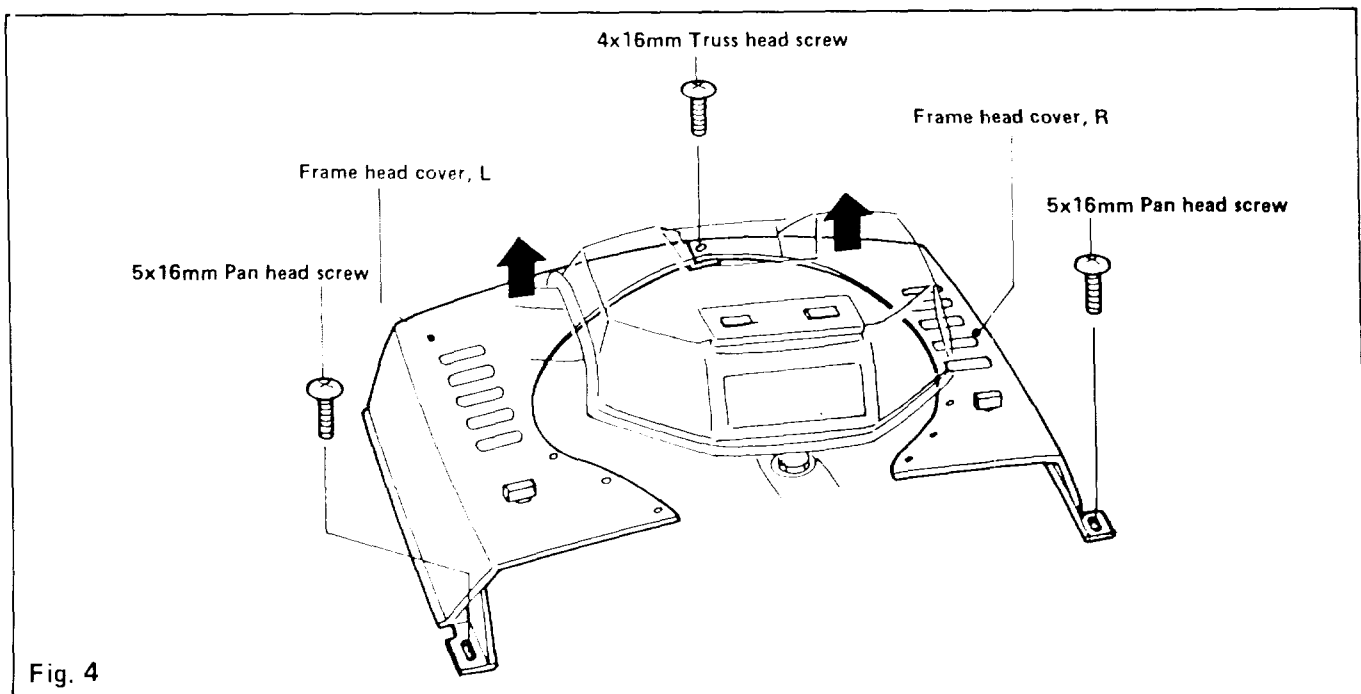


MOUNTING PROCEDURES

3. Detaching the upper frame cover.
Remove the three screws and two bolts as shown in Fig. 3.

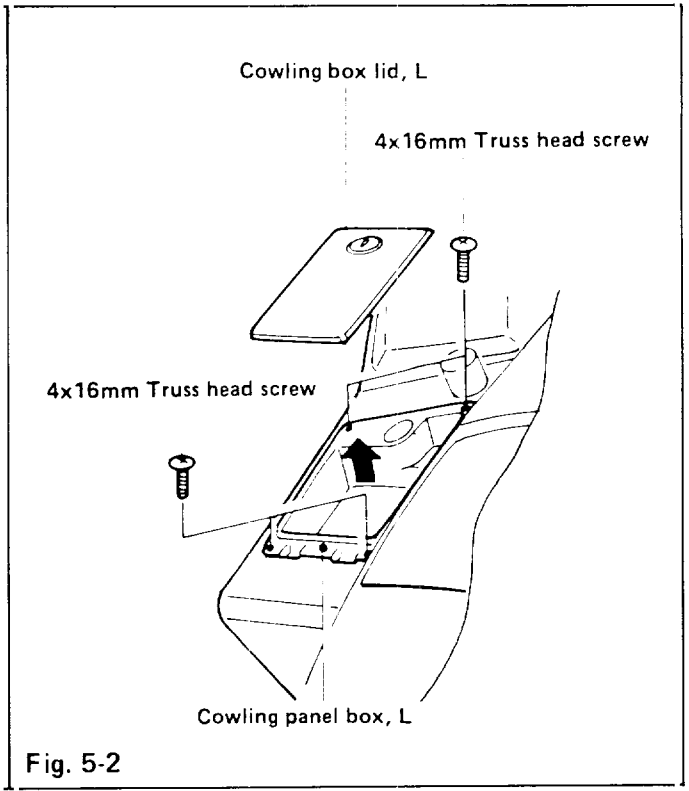
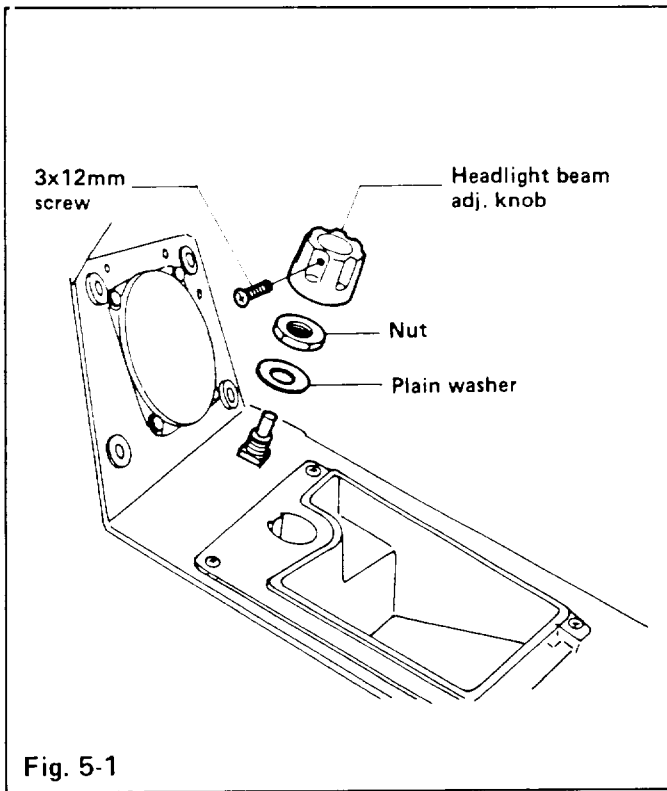


4. Detach the right and left frame head covers by removing the three screws as shown in Fig. 4.



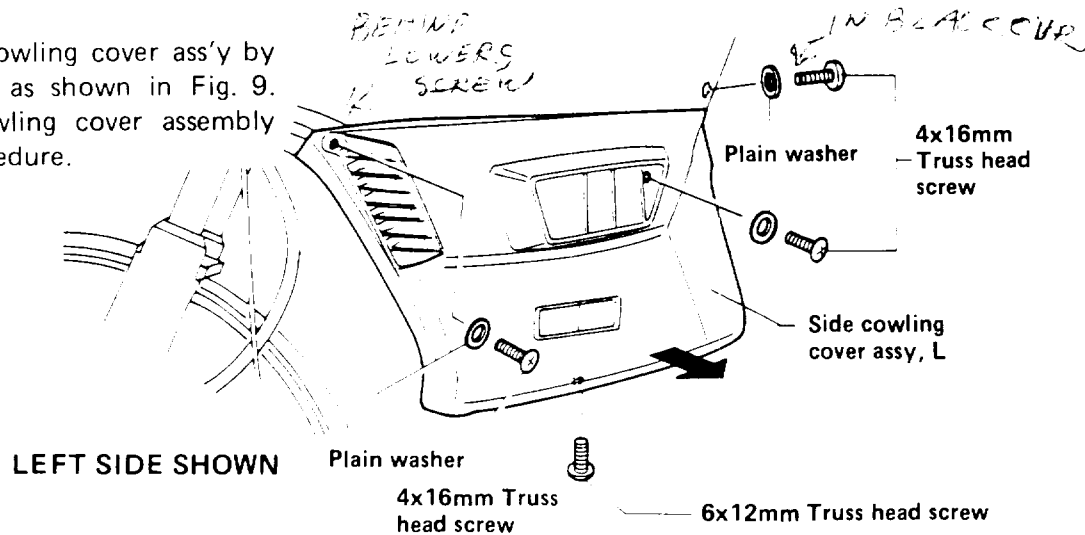
MOUNTING PROCEDURES

5. Removing the left cowling panel.
 - 1) Remove the speaker grille.
 - 2) Remove the headlight beam adjuster knob by removing the 3x12mm screw (Fig. 5-1)
 - 3) Remove the nut securing the adjuster to the cowling panel. (Fig. 5-1)
 - 4) Detach the left cowling box lid with the ignition key. (Fig. 5-2)
 - 5) Remove the left cowling panel box by removing the 4x16mm screws. (Fig. 5-2)
- 6) Disconnect the left speaker lead wire from the radio, and remove the left speaker from the left cowling panel. (if applicable)
- 7) Remove any remaining switches from the left cowling panel.
- 8) Remove the left cowling panel by removing the remaining 3x15mm and 5x15mm screws.



6. Remove the left side cowling cover ass'y by removing the 4 screws as shown in Fig. 9. Remove the right cowling cover assembly following the same procedure.

*TO REMOVE LOWERS
SIDE LOWER PARTING
REMOVE THESE
SCREWS AND IN FIG 8
ADD VERY BOTTOM
CROWD FILE D BE EALT
UNDER SAFETY CAR ASSY*



MOUNTING PROCEDURES

7. Installing the ventilator control

- 1) Install the ventilator cable guide assembly (5) using the stock bolt (A) securing the upper brace.
- 2) Install the ventilator control bracket (7)

using the stock screw (B) securing the cowling body bracket.

- 3) Install the ventilator control assembly (6) using the two 5x12mm screws (9).

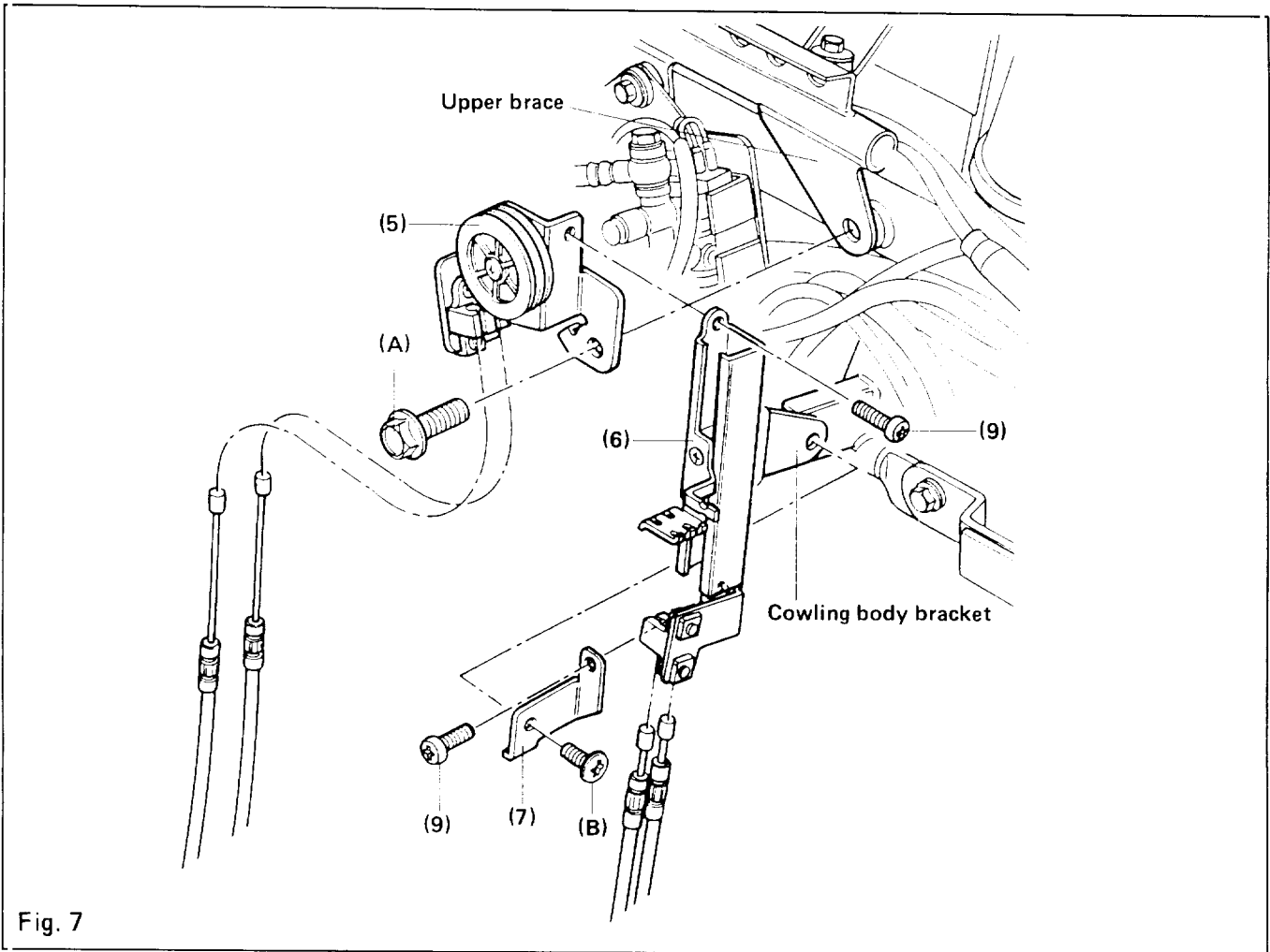


Fig. 7

8. Installing the right fairing extension assembly

- 1) Drill holes at the two positions of the right side cowling cover assembly as shown in Fig. 8-1 and Fig. 8-2.

Drill the left side one in the same way.

Attach the nut (13) at the upper drilled position as shown in Fig. 8-1.

NOTE:

Be sure to attach the nut in the correct direction according to the illustration.

- 2) Install the right fairing extension bracket (3) in the right fairing extension assembly (1) using the two 5x12mm truss screws (10). Install the left one (4) in the same

way.

- 3) Route the two cables of the right fairing extension (1) through the upper part of the right side cowling cover grille as shown in Fig. 8-1 and through upper side of the reservoir hose, and pass the cables to the left side of the vehicle.
- 4) Install the right side cowling cover assembly, and then install the right fairing extension (1) using the tapping screw (11), washer (12), bolt (14), nut (15), and stock screw (A) securing the right side cowling cover assembly.

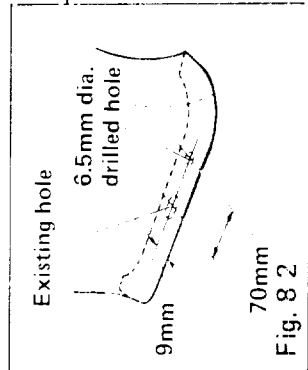
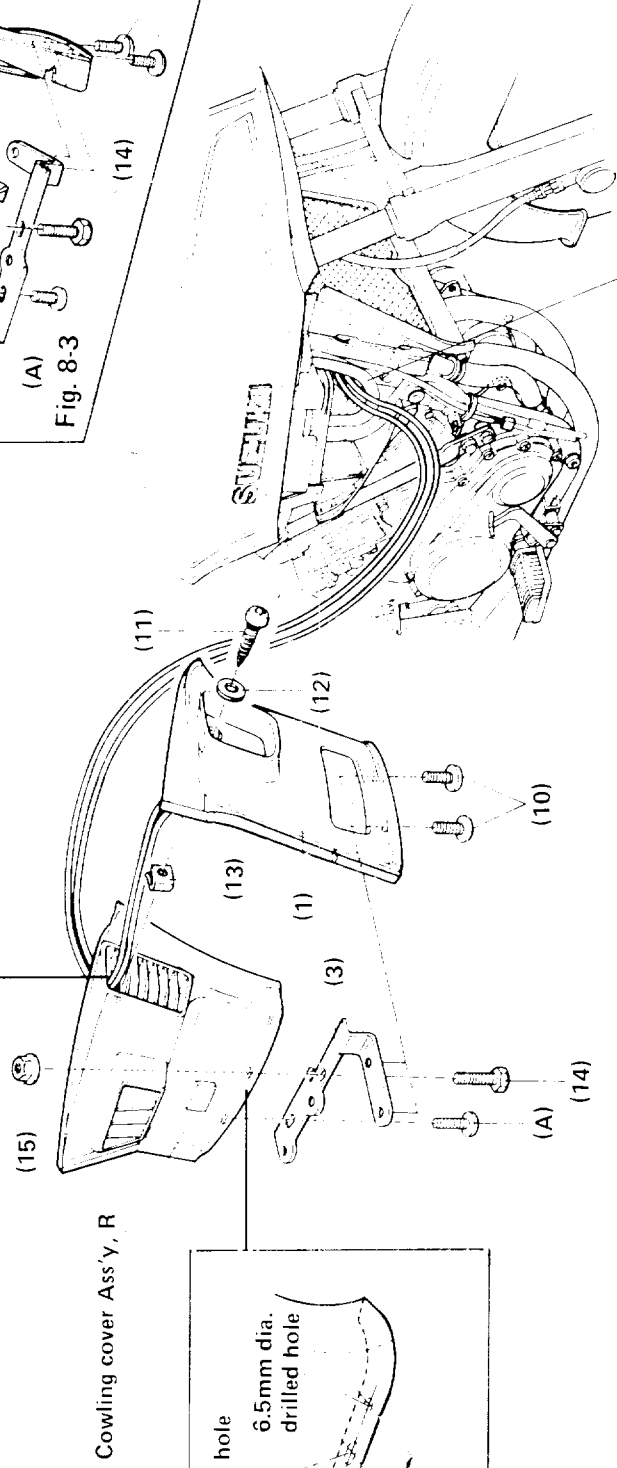
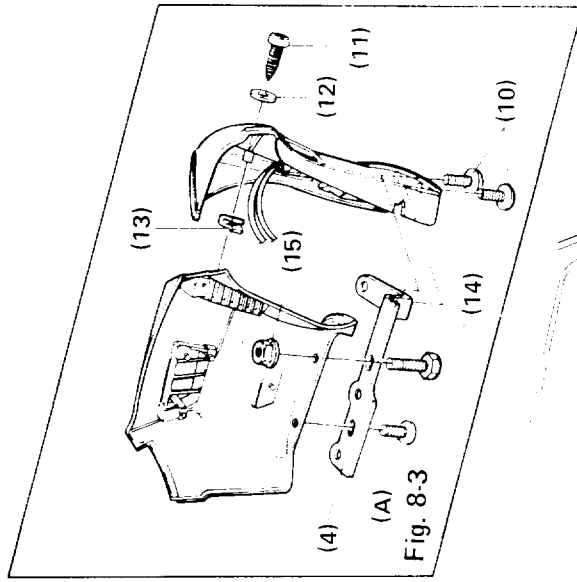
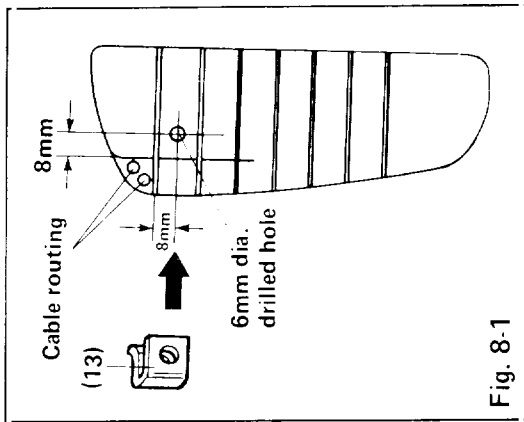


Fig. 8

MOUNTING PROCEDURES

9. Connecting the cables

- 1) Connect the cables of the right fairing extension (1) as shown in Fig. 9.
 - A Longer cable of right fairing extension
(Closing cable for ventilator of right fairing extension)
 - B Shorter cable of right fairing extension
(Opening cable for ventilator of right fairing extension)
- 2) After routing the two cables of the left fairing extension (2) through the upper part of the left side cowling cover grille, connect the cables as shown in Fig. 9.
 - C Longer cable of left fairing extension
(Closing cable for ventilator of left fairing extension)
 - D Shorter cable of left fairing extension
(Opening cable for ventilator of left fairing extension)
- 3) Adjust the cable play (a) to 0.5 – 1.0mm (0.02 – 0.04 inch) by turning the adjuster.
- 4) Make sure that the ventilators open or close completely by sliding the lever up or down. Check the cable play if the lever does not operate smoothly.

10. Installing the left fairing extension assembly

- 1) Install the left side cowling cover assembly.
- 2) Install the left fairing extension assembly (2) in the same way as the right one (1). See Fig. 8-3.

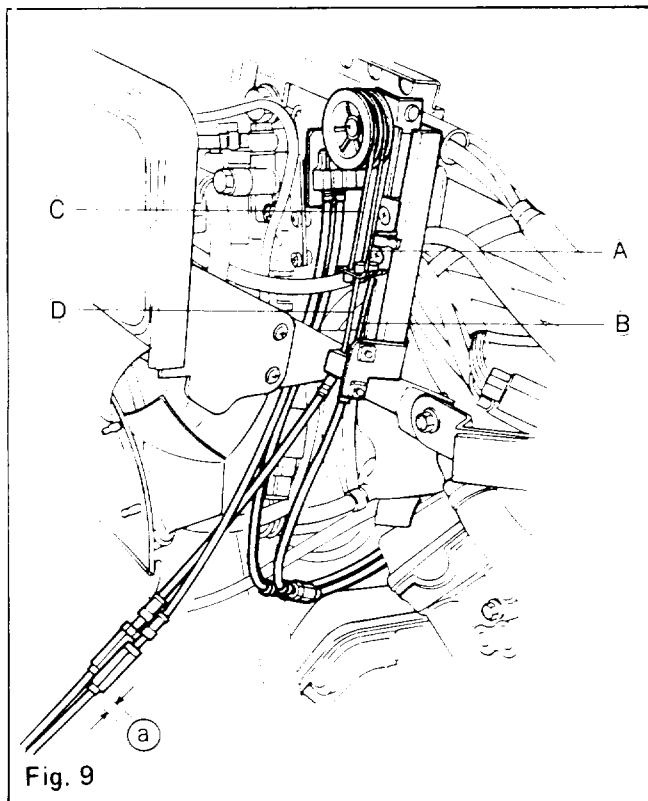
11. Installing the replacement left cowling panel.

- 1) Align the provided template to the replacement left cowling panel.
- 2) Carefully mark the left cowling panel for the location of the switches applicable to your motorcycle.
- 3) Cut out the holes as marked.

NOTE:

If additional holes are needed, use your old left cowling panel as a guide to locate them on the replacement panel.

- 4) Install the speaker (if applicable), and the various switches that you previously removed, to the replacement left cowling panel.
- 5) Install the replacement left cowling panel to the motorcycle.



12. Attaching the knob (8) and the emblem (16)
 - 1) Stick the emblem (16) to match the movement of the ventilator lever.
 - 2) Attach the knob (8) to the lever.

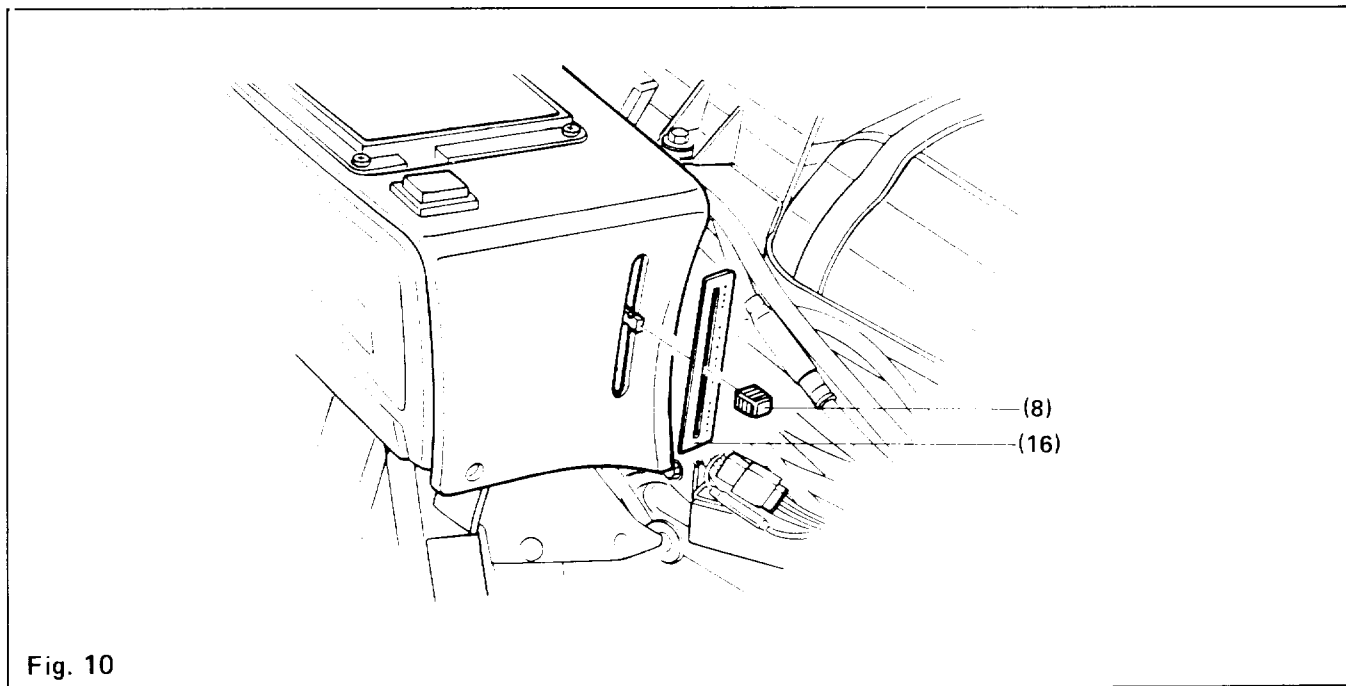


Fig. 10

13. Reassembling
Attach the left cowling box, headlight beam adjuster, speaker grille, frame head covers, frame upper cover, handle cover, frame covers, and seat in the reverse order from when you removed them.

WARNING:

Do not operate the ventilators while riding the motorcycle. Removing your hands from the handlebars can cause you to lose control of the motorcycle, resulting in an accident.