

Saddle Bag Trim Set 94870-24A00

1. Install the left side saddle bag trim (A) to the frame with clamp (D) and clamp (E). Insert the bolt (M) from inside and temporarily tighten it with the crown nut (O). (Fig. 1)
2. Using the same procedure above, install to the frame the right side saddle bag trim (B) with clamp (F) and clamp (G). Insert the bolt (M) from inside and temporarily tighten it with the crown nut (O).
3. Install to the frame the saddle bag center trim (C) with clamp (H) and clamp (I). Insert the crown bolt (L) from inside and temporarily tighten it with the crown nut (O). (Fig. 2)
4. Using the same procedure above, temporarily tighten the right clamps.
5. Couple the saddle bag trims, center, right and left together. Insert the bolt (N) from inside and tighten them with the crown nut (O). For this, equal tightening torques are required. (Fig. 3)
6. Tighten securely the bolts and nuts which were temporarily tightened in the steps, 1, 2, 3, and 4.

INSTALLATION INSTRUCTIONS

Saddle Bag Trim Set (94870-24A00)

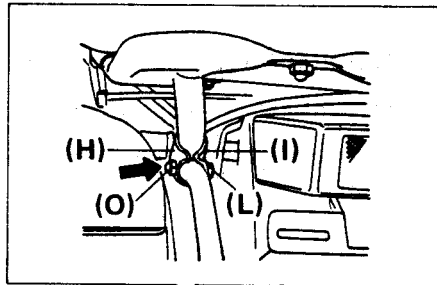


Fig. 2

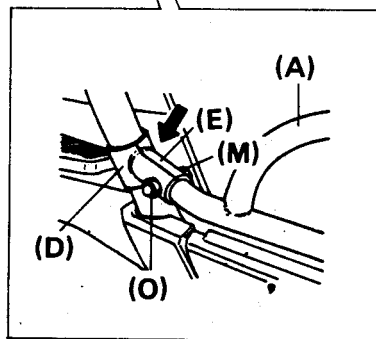
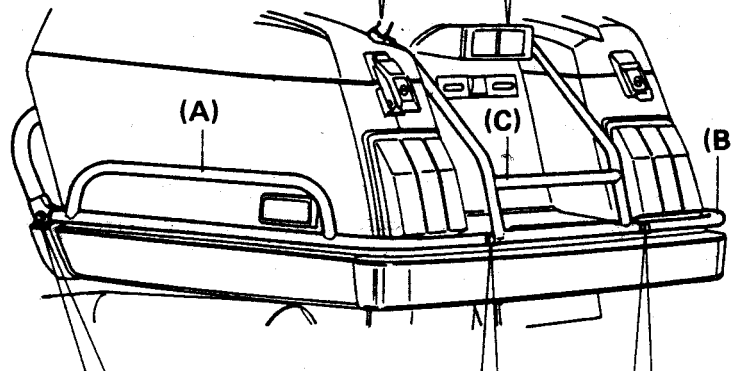


Fig. 1

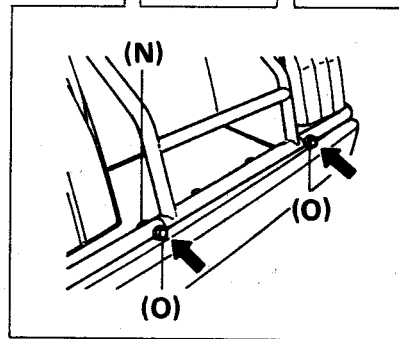


Fig. 3

LEFT SIDE SHOWN

Letter	Qty	Description	Letter	Qty	Description
A	1	Saddle Bag Trim, Left	I	1	Clamp (C), Right
B	1	Saddle Bag Trim, Right	J	1	Clamp (D), Right
C	1	Saddle Bag Trim, Center	K	1	Clamp (D), Left
D	1	Clamp (A), Left	L	2	6 x 30mm Crown Bolt
E	1	Clamp (A), Right	M	2	6 x 30mm Hex. Bolt
F	1	Clamp (B), Right	N	2	6 x 20mm Hex. Bolt
G	1	Clamp (B), Left	O	6	6mm Crown Nut
H	1	Clamp (C), Left			