

INSTALLATION INSTRUCTIONS

Travel Trunk Trim Set (94880-24A00)

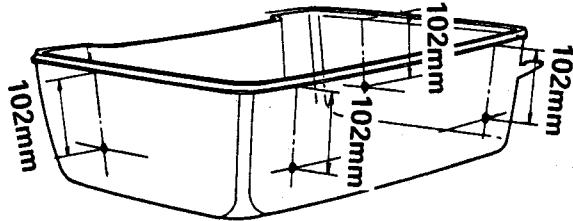


Fig. 1

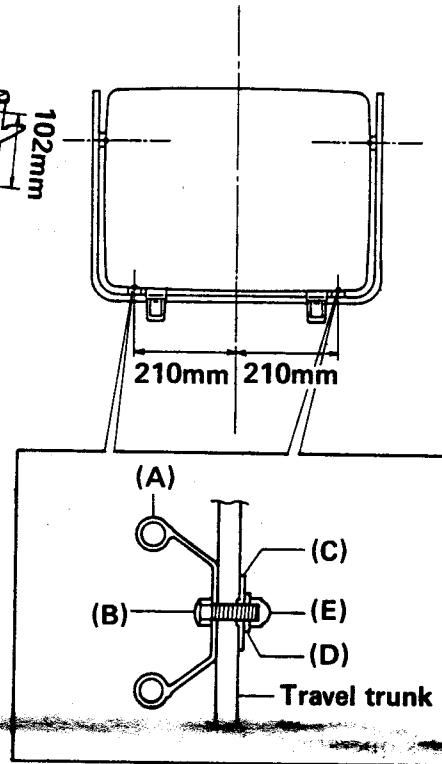
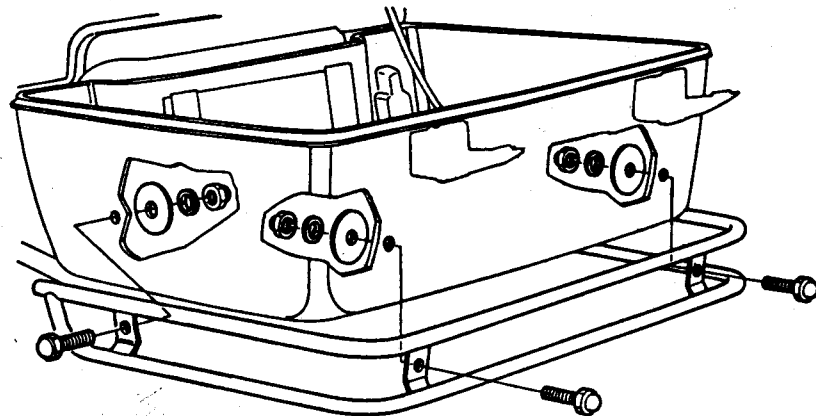


Fig. 2



LEFT SIDE SHOWN

Letter	Qty	Description	Letter	Qty	Description
A	1	Travel Trunk Trim	E	4	6mm Crown Nut
B	4	6 x 12mm Crown Bolt			
C	4	Special Washer			
D	4	Spring Washer			

Travel Trunk Trim Set 94880-24A00

1. Determine the center line of the trunk body at the center between the two trunk keys as shown in the figure.
2. Mark off two drill holes at each point 210mm (8.27in.) from the center line along the line 102mm (4.02in.) below the edge of the trunk.

Note: Place cloth tape temporarily on edges of trim brackets to prevent scratching. At this time, fit the travel trunk trim in place for installation to make sure that the hole points marked off are in the exact place.

3. Place cloth tape around holes for protection from drilling. Drill holes of 8mm (0.31in.) at the points exactly marked off.
4. Temporarily, install the travel trunk trim.
5. Next, for drilling holes on the left and right sides of the trunk, determine a drill hole point along the line 102mm (4.02in.) below the edge of the trunk. Mark off the correct hole point at the hole center of the trunk trim being temporarily installed.
6. Remove the trunk trim, again, which was installed in the step 5, place cloth tape around holes for protection from drilling, and drill holes 8mm (0.31in.) in diameter on the left and right sides.
7. Remove the cloth tape stuck as protection.
8. With the same procedure given in the Fig. 2, install the trim from backside first, then left and right in this sequence.